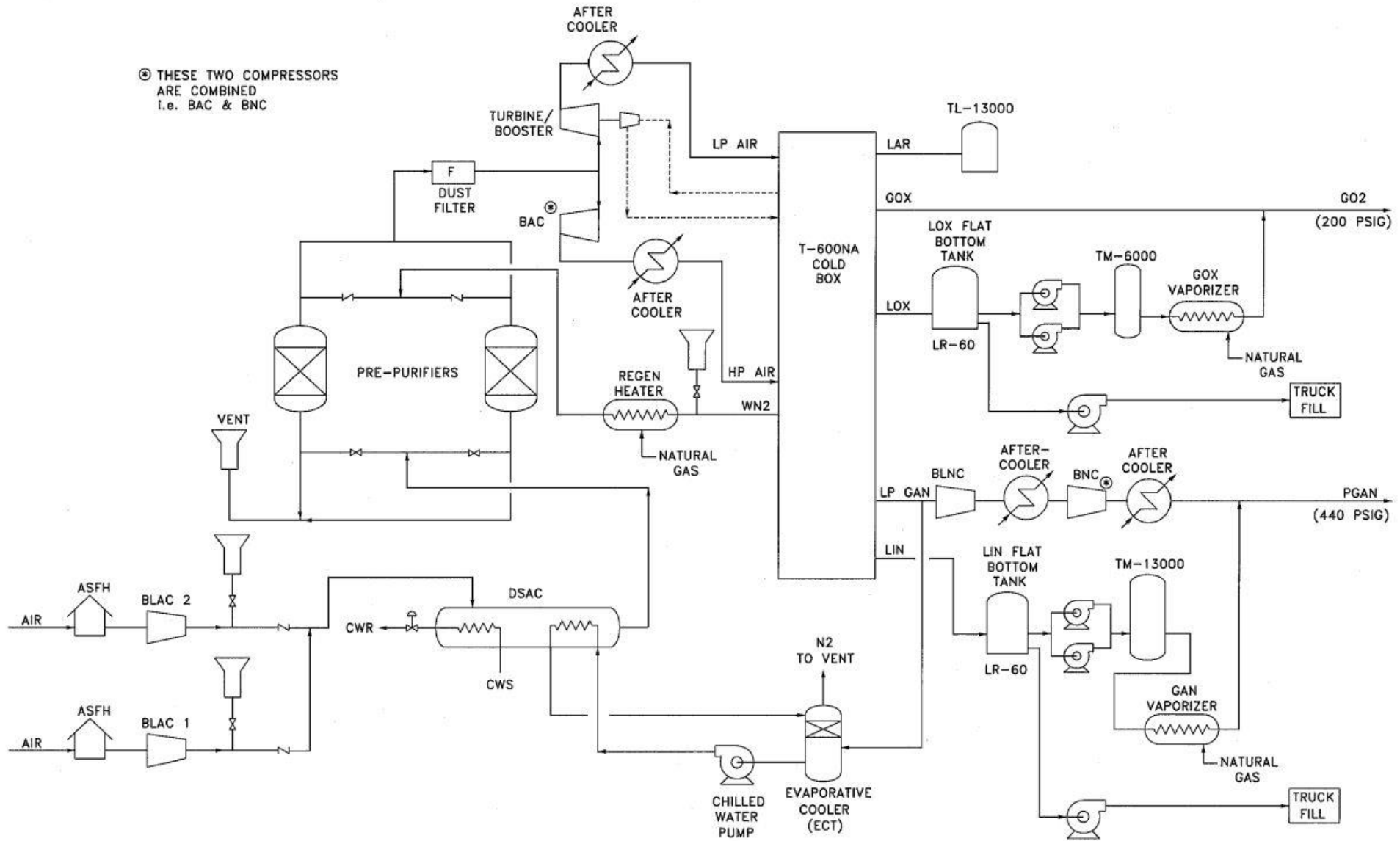


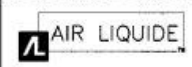
⊕ THESE TWO COMPRESSORS  
ARE COMBINED  
I.e. BAC & BNC



| REV | DATE | DESCRIPTION | BY | CHK | APP | SYST | DATE | DESCRIPTION | BY | CHK | APP | SYST | DATE |
|-----|------|-------------|----|-----|-----|------|------|-------------|----|-----|-----|------|------|
|     |      |             |    |     |     |      |      |             |    |     |     |      |      |

THIS PRINT IS PROPERTY OF AIR LIQUIDE AND IS LENT WITHOUT CONSIDERATION OTHER THAN THE BORROWER'S AGREEMENT THAT IT SHALL NOT BE REPRODUCED, COPIED, LENT OR DISPOSED OF, DIRECTLY OR INDIRECTLY NOR USED FOR ANY OTHER PURPOSE OTHER THAN THAT FOR WHICH IT IS SPECIFICALLY FURNISHED. THIS PRINT IS LENT SUBJECT TO RETURN ON DEMAND.

CUSTOMER:  
NAME/LOC:  
NAME/LOC:  
NAME/LOC:  
PROJECT NO:  
DIST. NO:



GEORGIA GULF DUE DILIGENCE  
SCHEMATIC OF  
ASU PROCESS

| ORIGINAL | REV. NO. | DATE | BY | APP. BY |
|----------|----------|------|----|---------|
|          |          |      |    |         |

SCALE: AIR LIQUIDE DRAWING NUMBER: KEY NO: